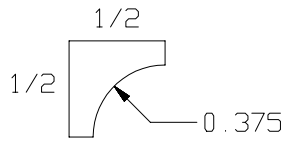
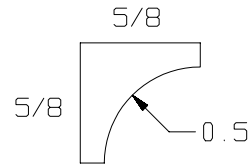


- COVE -



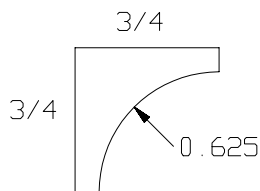
SCM 4001 = 3/8 RADIUS

- 4001-1 - 1/2 X 1/2
- 4001-2 - 5/8 X 5/8
- 4001-3 - 3/4 X 3/4
- 4001-4 - 7/8 X 7/8
- 4001-5 - 1 X 1



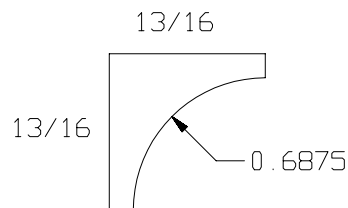
SCM 4002 = 1/2 RADIUS

- 4002-1 - 5/8 X 5/8
- 4002-2 - 3/4 X 3/4
- 4002-3 - 7/8 X 7/8
- 4002-4 - 1 X 1
- 4002-5 - 1-1/8 X 1-1/8



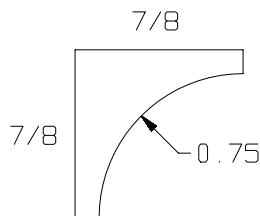
SCM 4003 = 5/8 RADIUS

- 4003-1 - 3/4 X 3/4
- 4003-2 - 7/8 X 7/8
- 4003-3 - 1 X 1
- 4003-4 - 1-1/8 X 1-1/8
- 4003-5 - 1-1/4 X 1-1/4



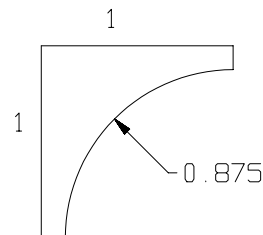
SCM 4004 = 11/16 RADIUS

- 4004-1 - 13/16 X 13/16
- 4004-2 - 15/16 X 15/16
- 4004-3 - 1-1/16 X 1-1/16
- 4004-4 - 1-3/16 X 1-3/16
- 4004-5 - 1-5/16 X 1-5/16



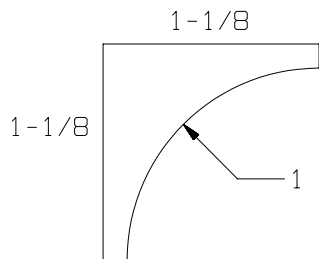
SCM 4005 = 3/4 RADIUS

- 4005-1 - 7/8 X 7/8
- 4005-2 - 1 X 1
- 4005-3 - 1-1/8 X 1-1/8
- 4005-4 - 1-1/4 X 1-1/4
- 4005-5 - 1-3/8 X 1-3/8



SCM 4006 = 7/8 RADIUS

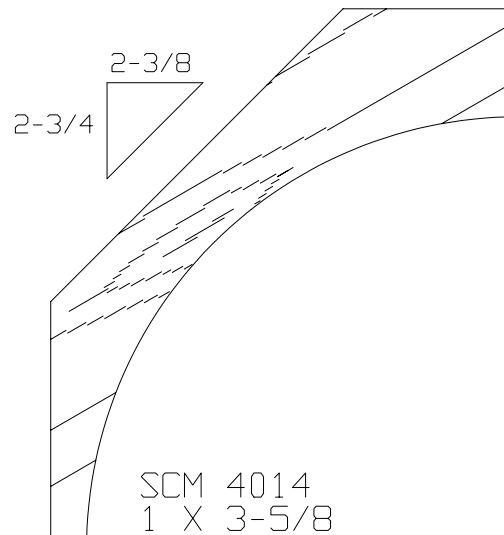
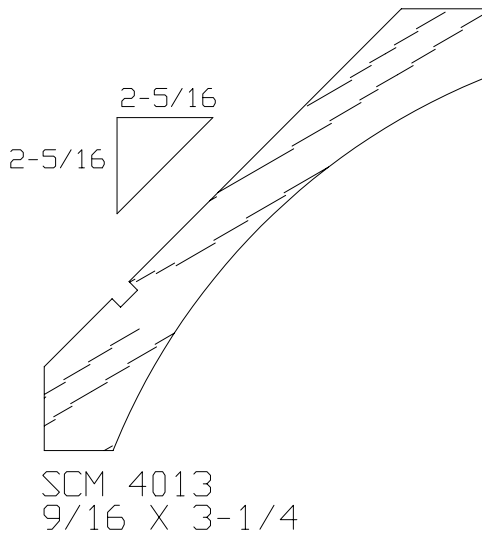
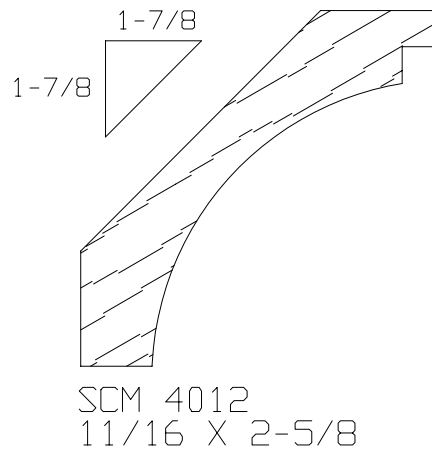
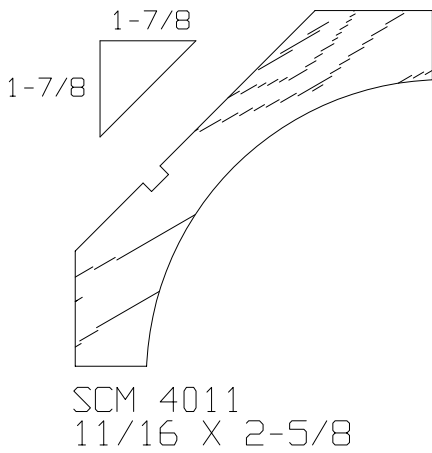
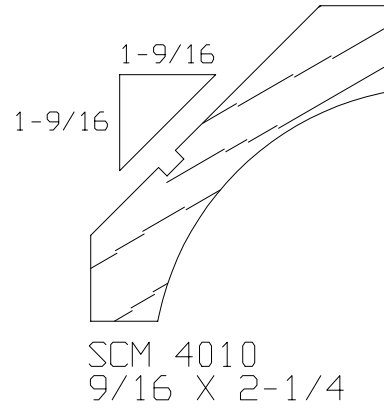
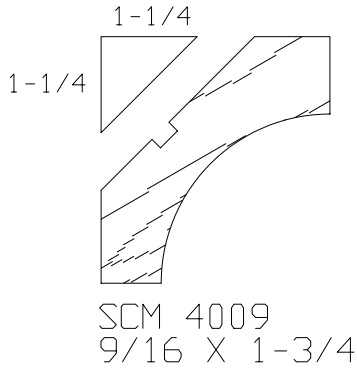
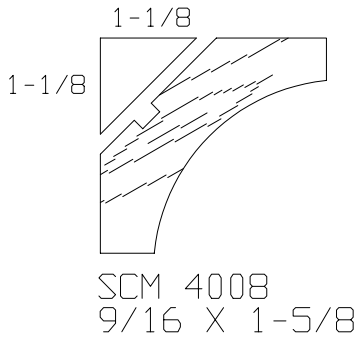
- 4006-1 - 1 X 1
- 4006-2 - 1-1/8 X 1-1/8
- 4006-3 - 1-1/4 X 1-1/4
- 4006-4 - 1-3/8 X 1-3/8
- 4006-5 - 1-1/2 X 1-1/2



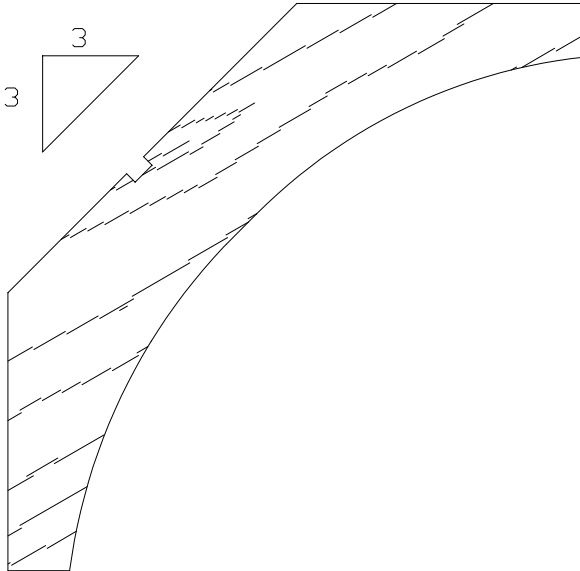
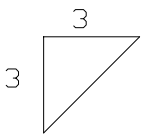
SCM 4007 = 1 RADIUS

- 4007-1 - 1-1/8 X 1-1/8
- 4007-2 - 1-1/4 X 1-1/4
- 4007-3 - 1-3/8 X 1-3/8
- 4007-4 - 1-1/2 X 1-1/2

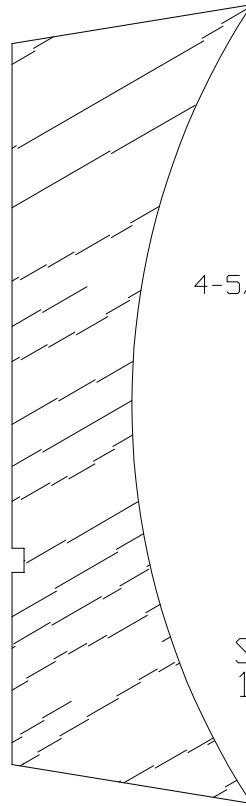
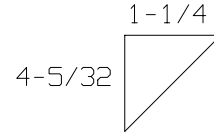
- COVE -



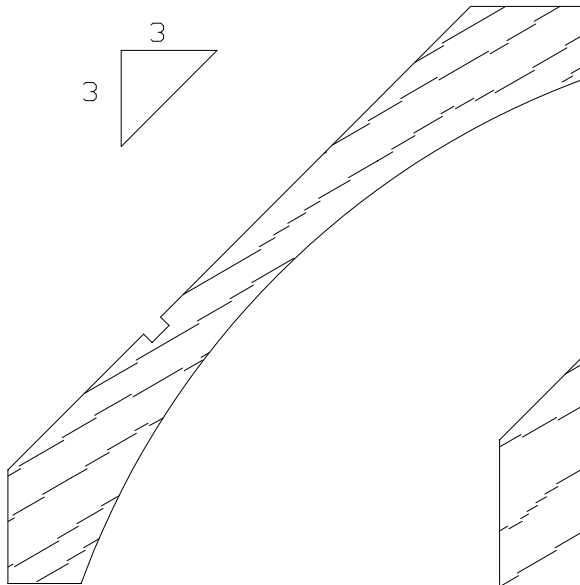
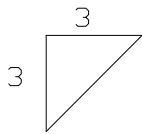
- COVE -



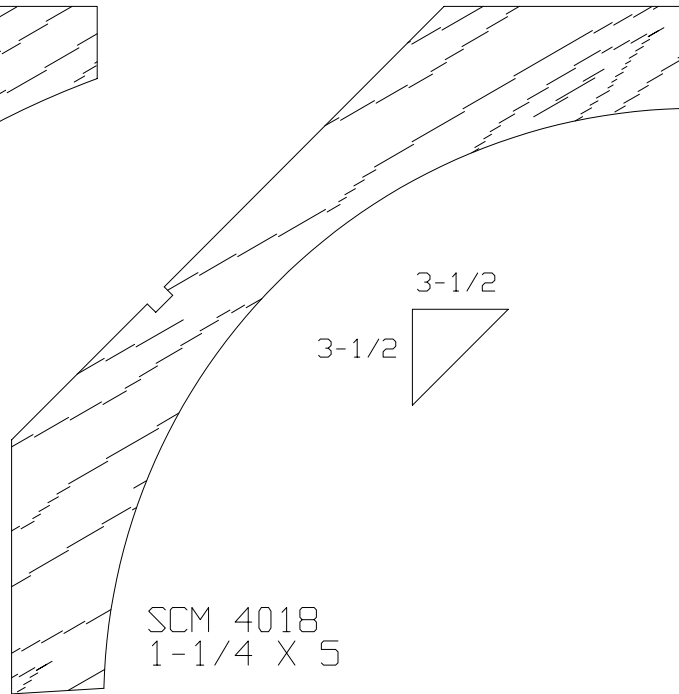
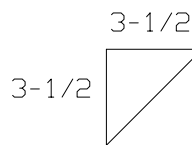
SCM 4015
1-1/4 X 4-1/4



SCM 4016
1-1/4 X 4

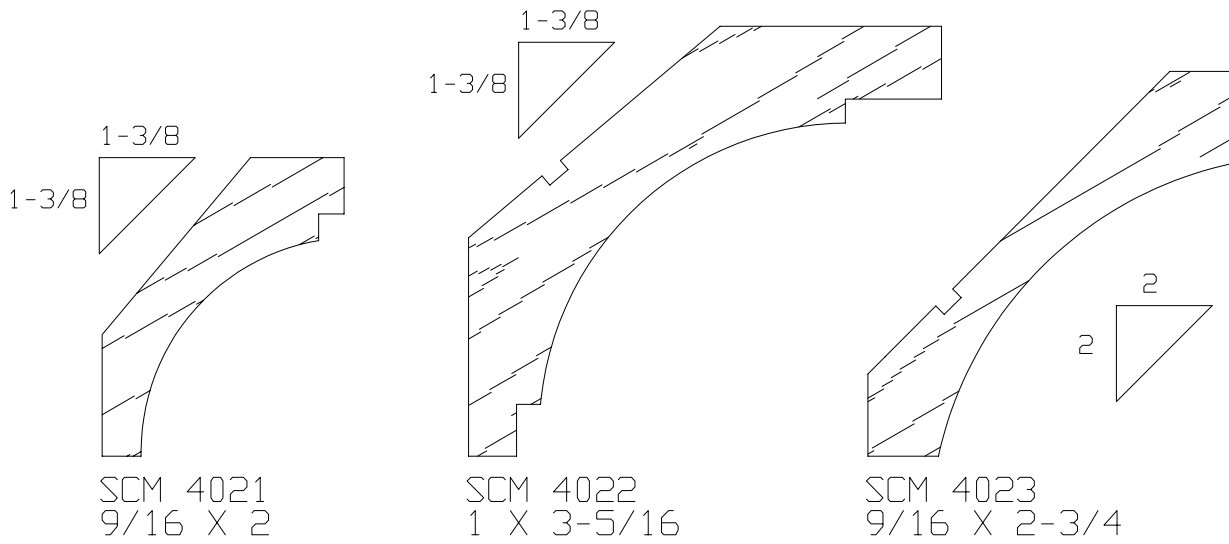
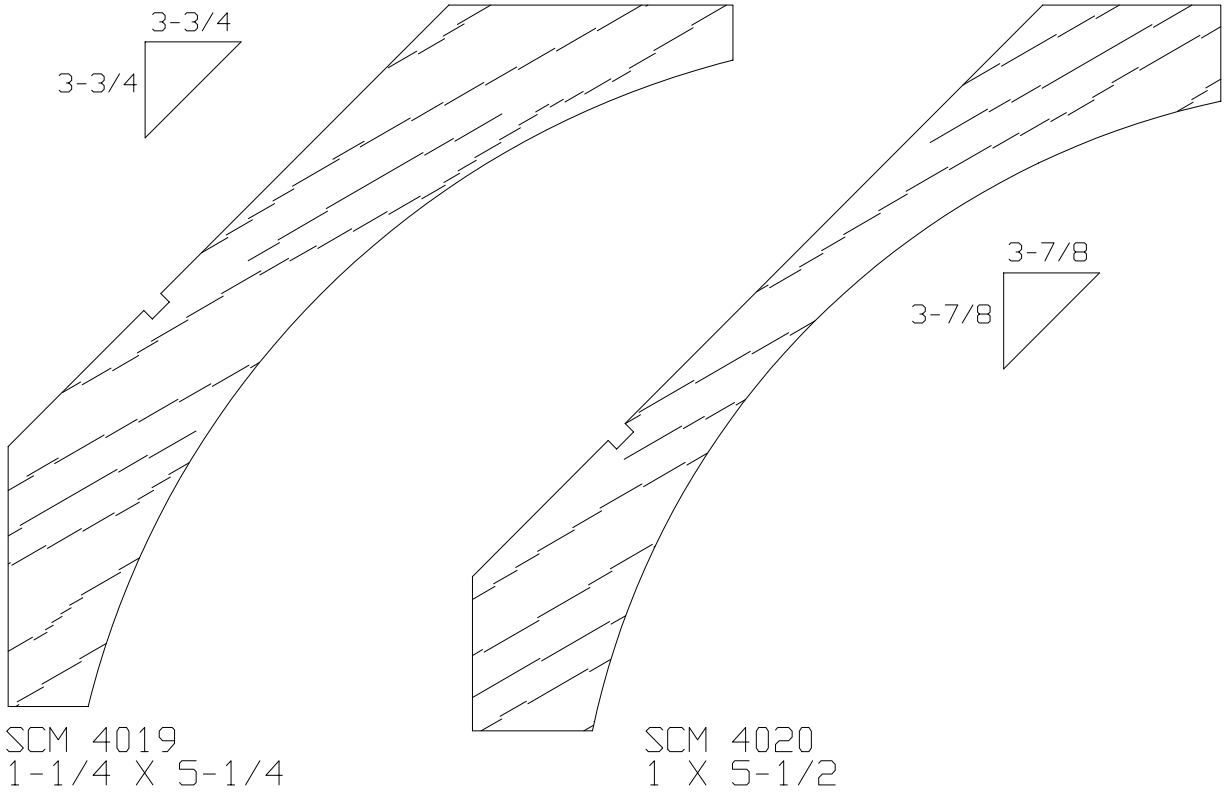


SCM 4017
11/16 X 4-1/4

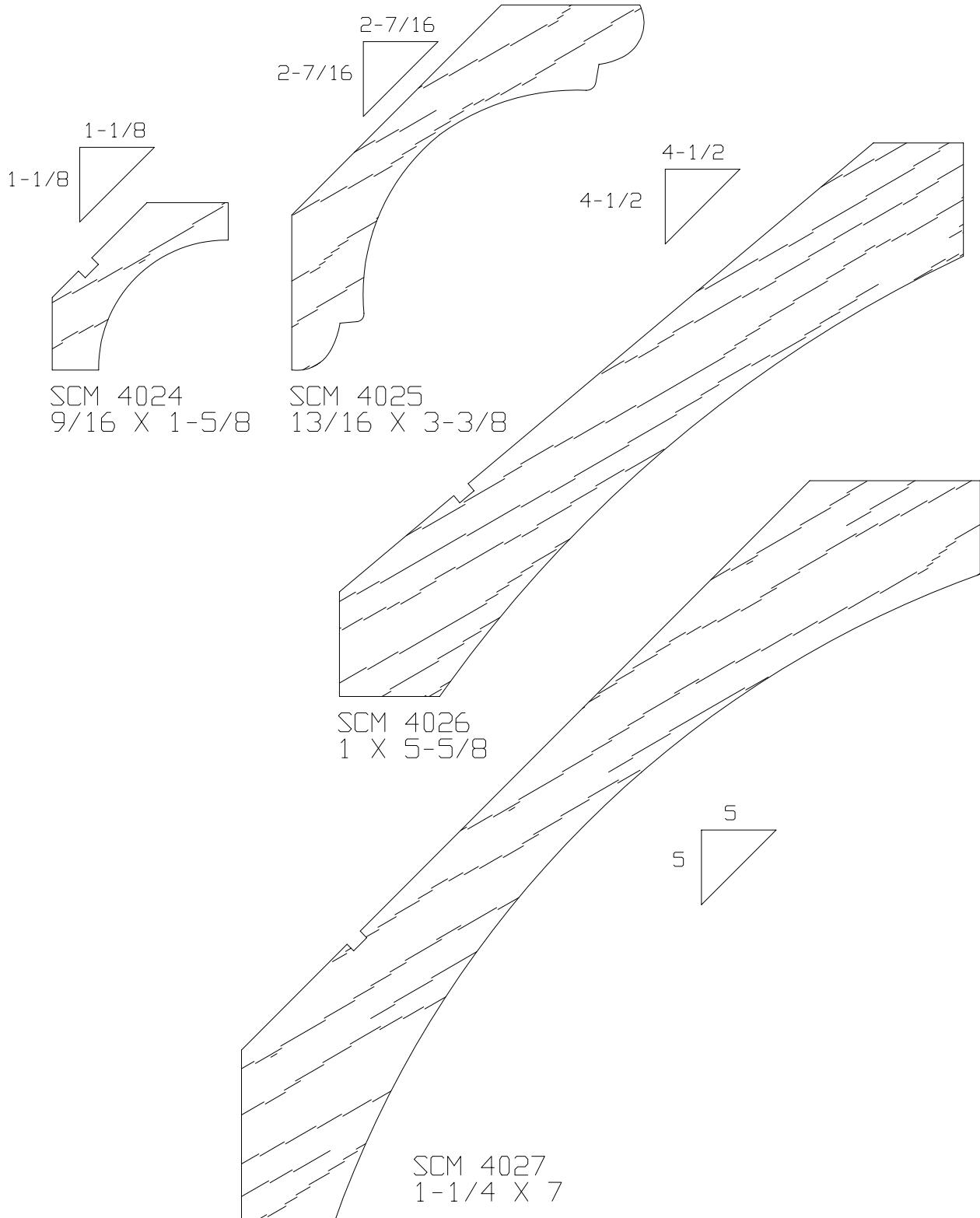


SCM 4018
1-1/4 X 5

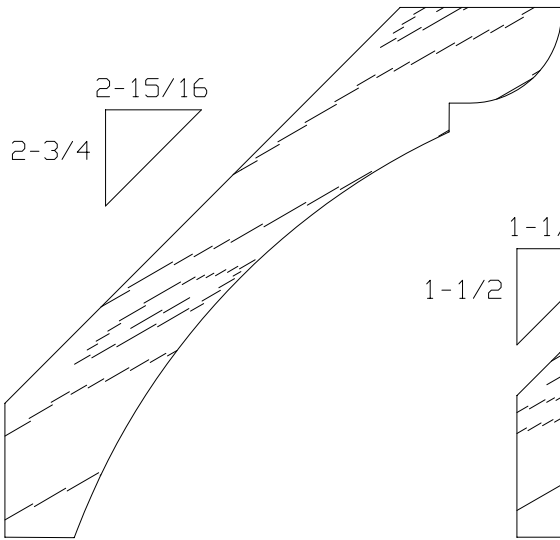
- COVE -



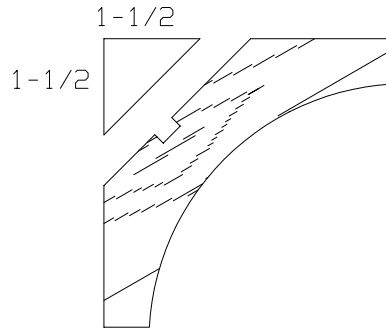
- COVE -



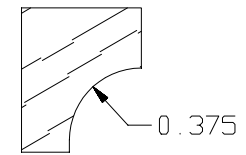
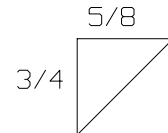
- COVE -



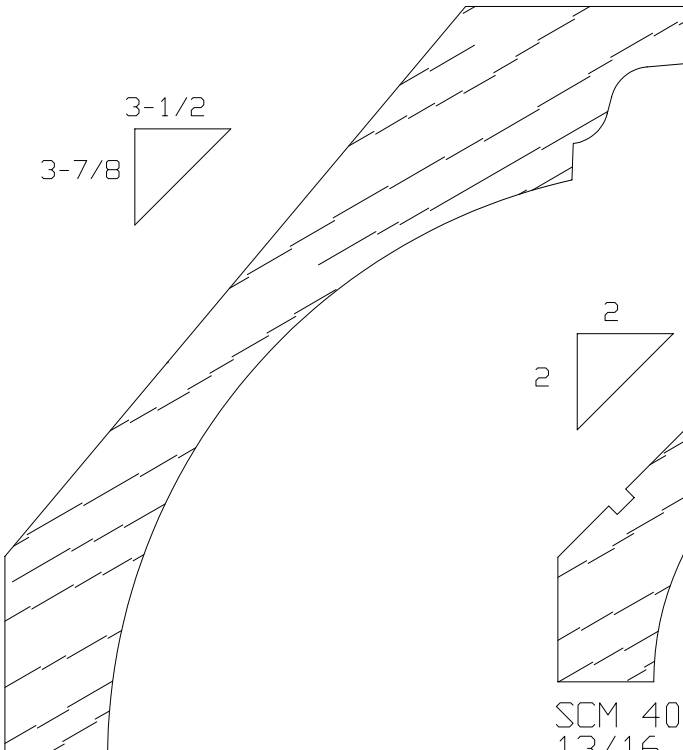
SCM 4028
3/4 X 4



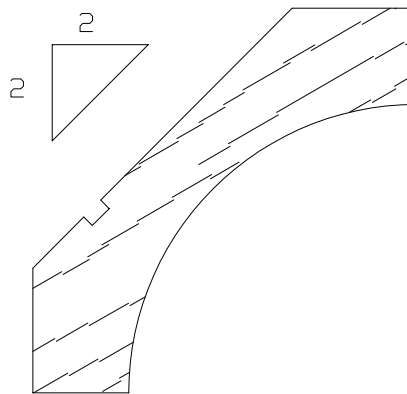
SCM 4029
11/16 X 2-1/8



SCM 4030
5/8 X 3/4

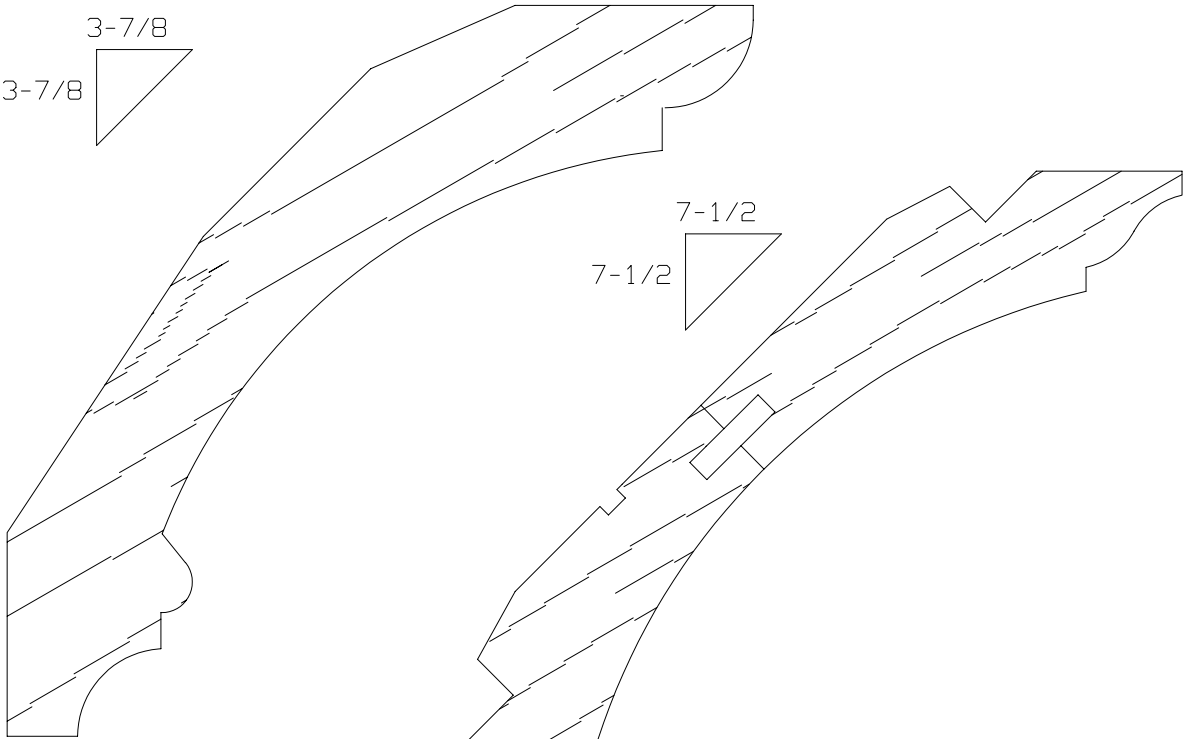
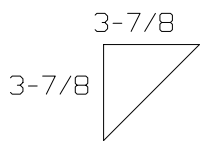


SCM 4031
1-1/16 X 5-1/4



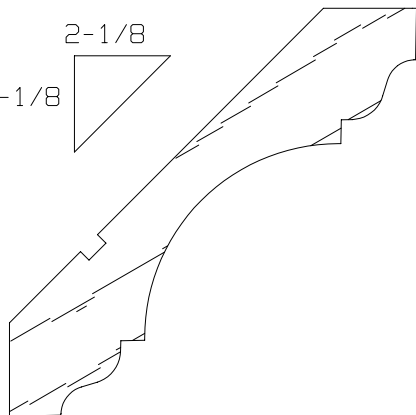
SCM 4035
13/16 X 2-13/16

- COVE -

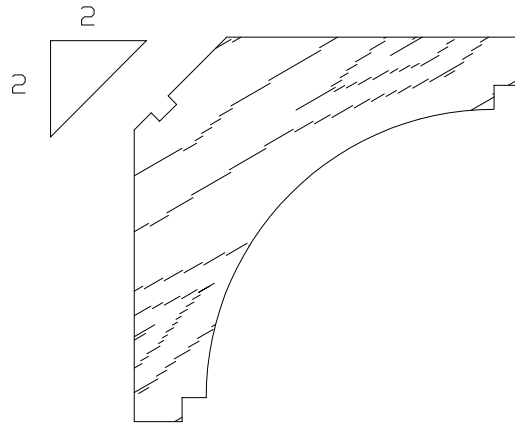
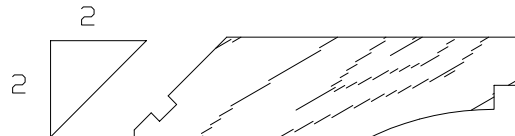


SCM 4036
1-3/8 X 5-7/16

SCM 4037
2 X 10-5/8
NTS



SCM 4039
9/16 X 3



SCM 4053
1-1/4 X 2-13/16